



GEZE ELECTRIC RWA AND VENTILATION SYSTEMS
SAFETY WITH AIR-MOVING POWER

GEZE chain drive ECchain

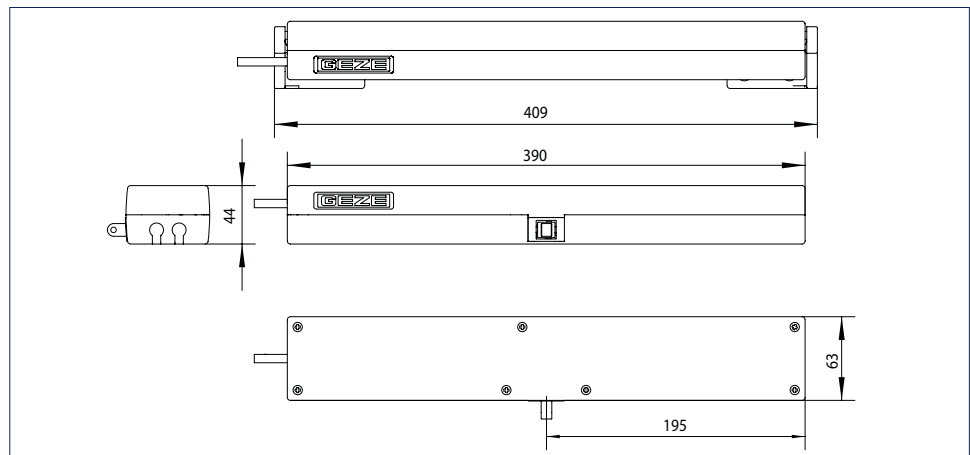
Simple automation possibilities for ventilation operation

The chain drive GEZE ECchain is suitable for straightforward ventilation automation (230 V). As a low-price and powerful entry-level model, it is also suitable for private residential buildings. The ECchain can also be used as a variant on small fanlights, since a maximum opening angle is reached with very low casement heights. The stroke length can be set to 200 mm or 400 mm. The integrated stroke setting option allows for adjustment in line with different ventilation requirements. A range of colour variants allows the drive to be adapted to existing window profiles. The ECchain can be installed quickly and easily.

GEZE ECchain



GEZE ECchain



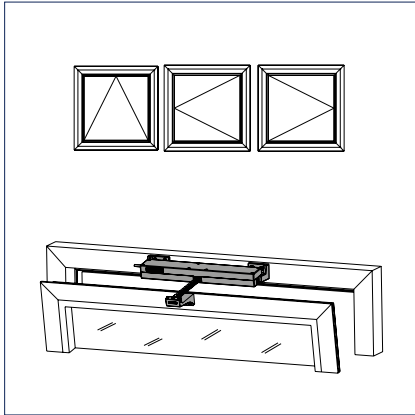
Application range

- Straightforward automation for ventilation windows and the façade area
- For universal use, particularly in private residential buildings
- Bottom-hung, side-hung and top-hung casements
- Inward-opening and outward-opening casements
- Can be used on timber, plastic and aluminium profile systems
- Frame installation

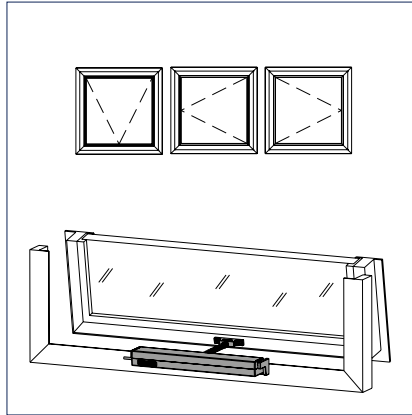
GEZE CHAIN DRIVES

Application range

INWARD-OPENING frame installation



OUTWARD-OPENING frame installation

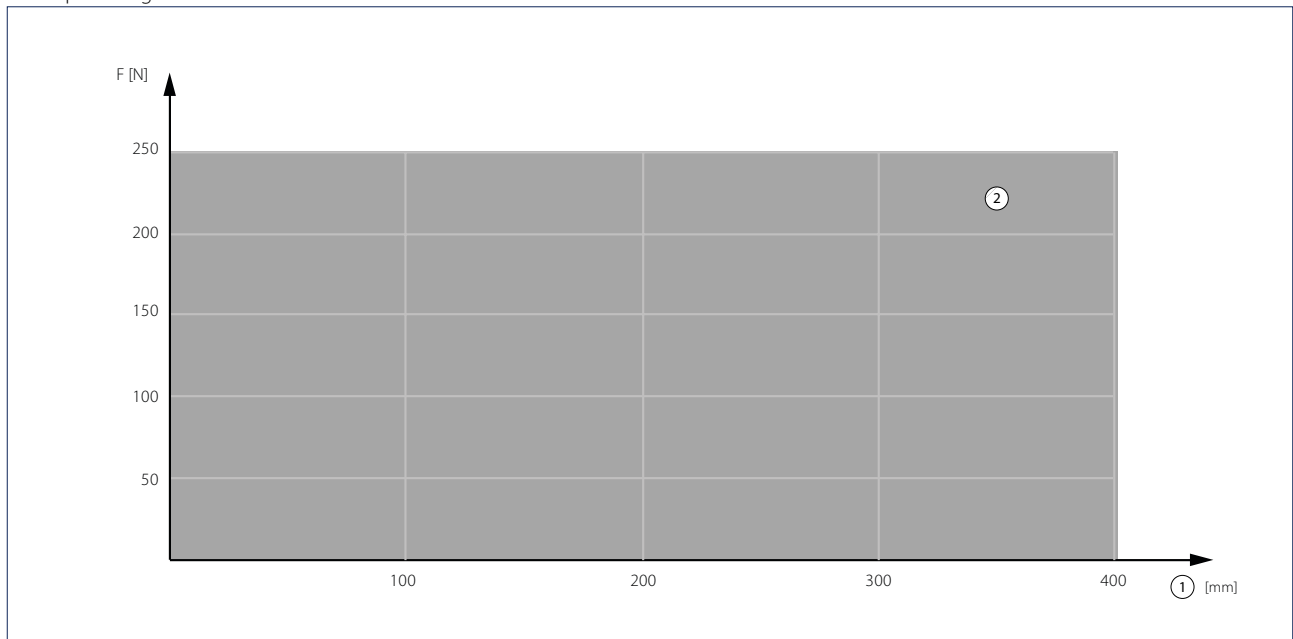


Technical data

Product features	GEZE ECchain
Length	with console 409 mm, without console 390 mm
Height	44 mm
Depth	63 mm
Space required on frame (min.)	Bottom-hung casement: 55 mm, top-hung casement: 35 mm
Possible stroke heights	200 mm, 400 mm
Stroke length selectable	yes, stroke 200 or stroke 400 mm depending on cable connection
Opening speed ventilation	9 mm/s
Closing speed	9 mm/s
Tensile force (max.)	250 N
Force of pressure (max.)	250 N
Casement weight (max.)	130 kg
Operating voltage	230 V ± 10 %
Current consumption	0.13 A
Length of power supply cable	2 m
Cable dimensions	4 x 0.75 mm ²
Temperature range	-5 – 60 °C
Enclosure rating / protection class	IP 30 / II
End position cut-off extended	Limit switches
End position cut-off retracted	electric, electronic via current consumption
Overload cut-off	•

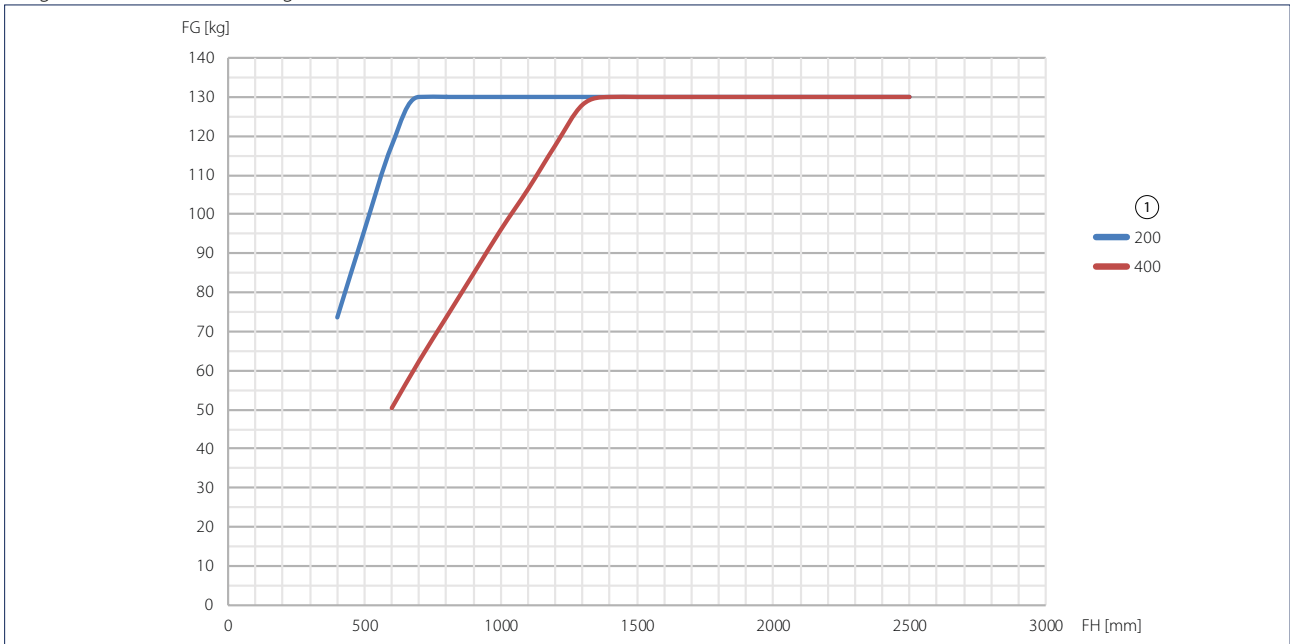
• = YES

Force-path diagram



F = Force
 1 = Stroke
 2 = Pull / Pressure

Range of uses for bottom-hung windows

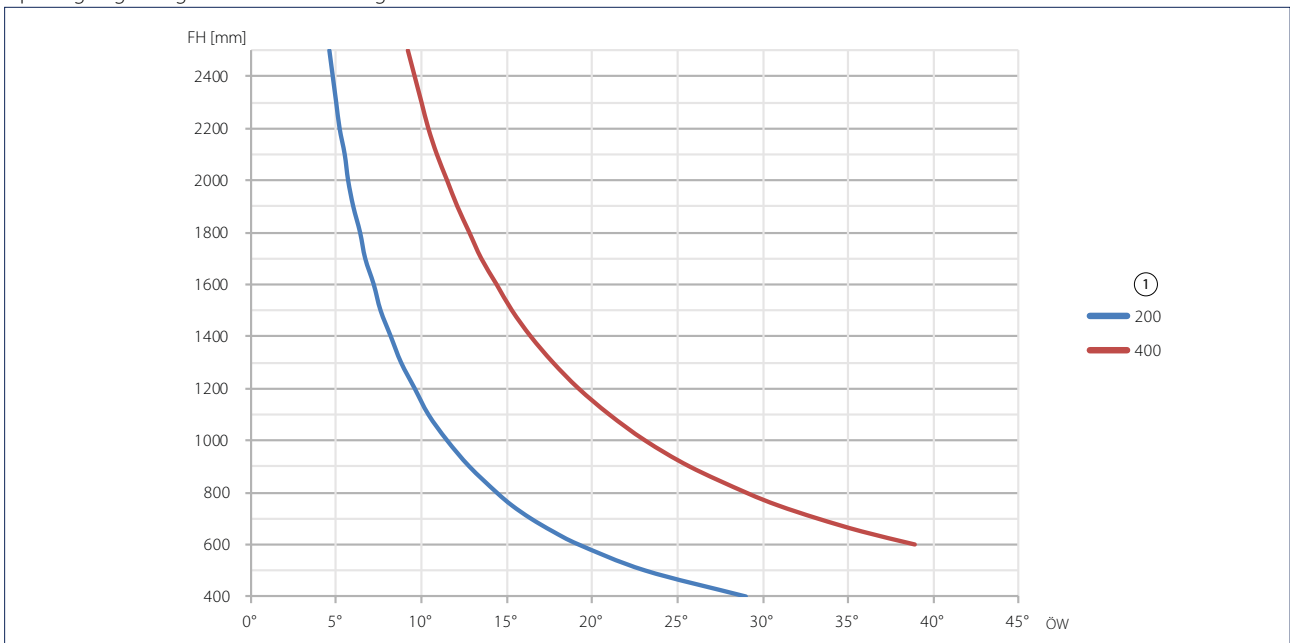


FG = Casement weight

FH = Casement height

1 = Stroke

Opening angle diagram for bottom-hung windows



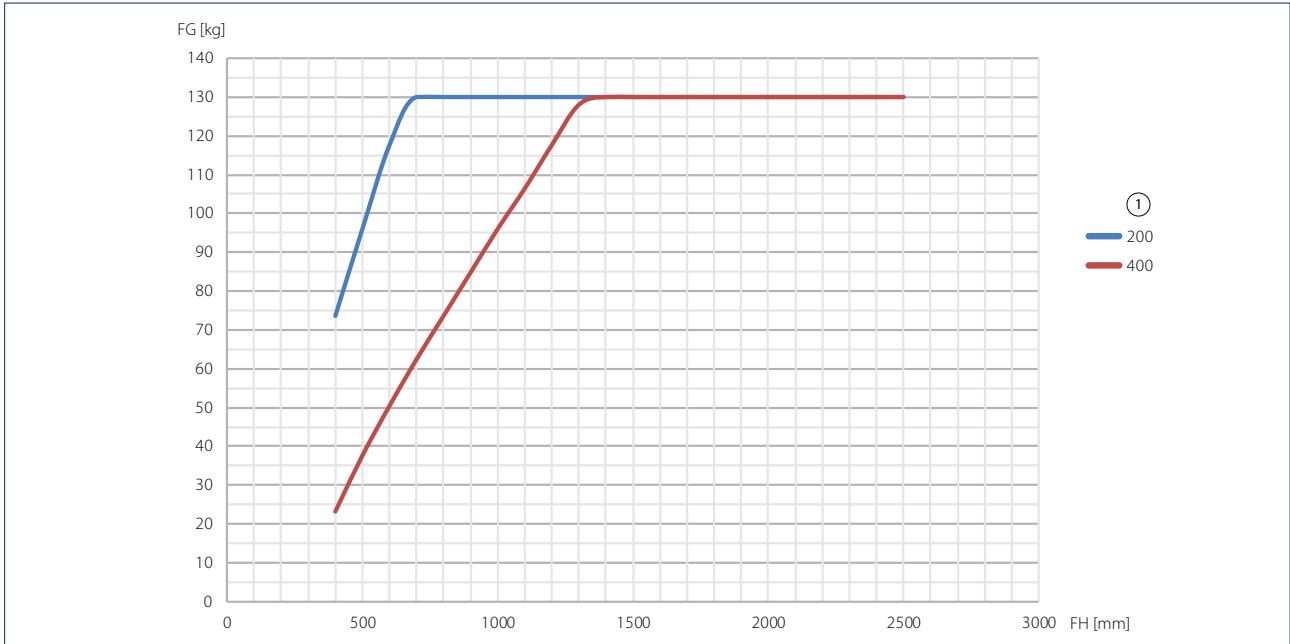
FH = Casement height

ÖW = Opening angle

1 = Stroke

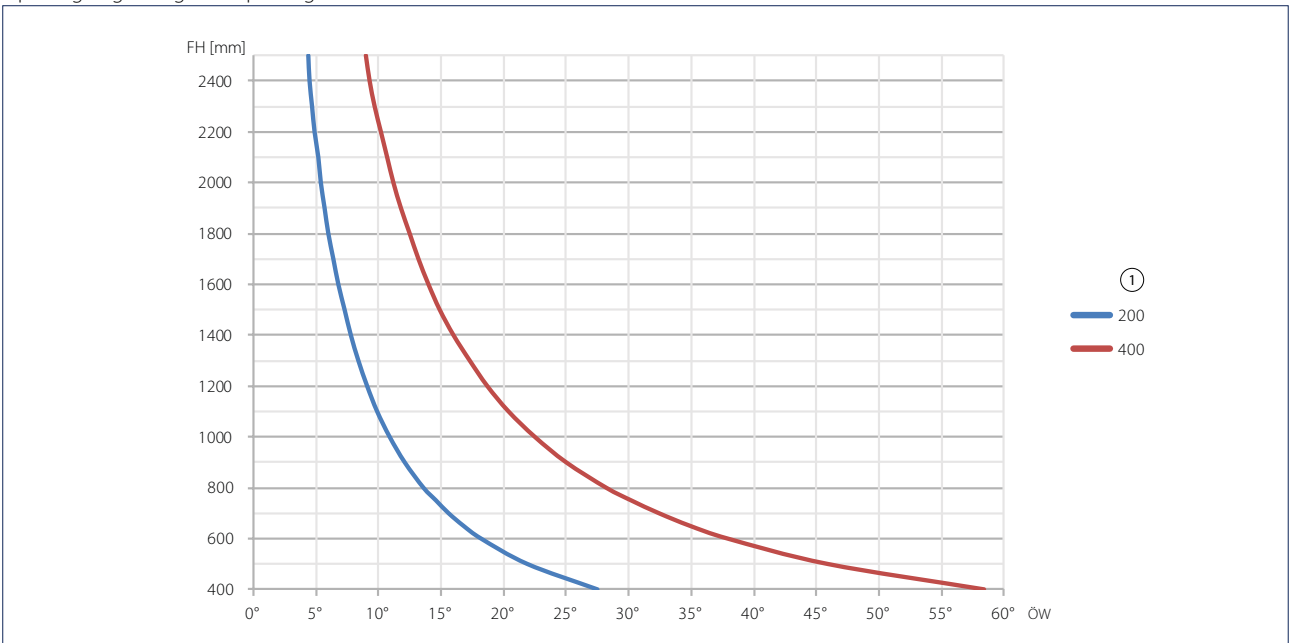
GEZE CHAIN DRIVES

Range of uses for top-hung windows



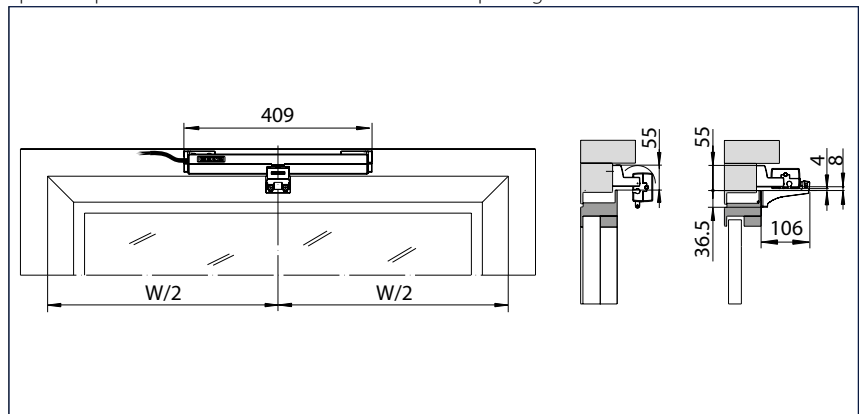
FG = Casement weight
 FH = Casement height
 1 = Stroke

Opening angle diagram top-hung casement

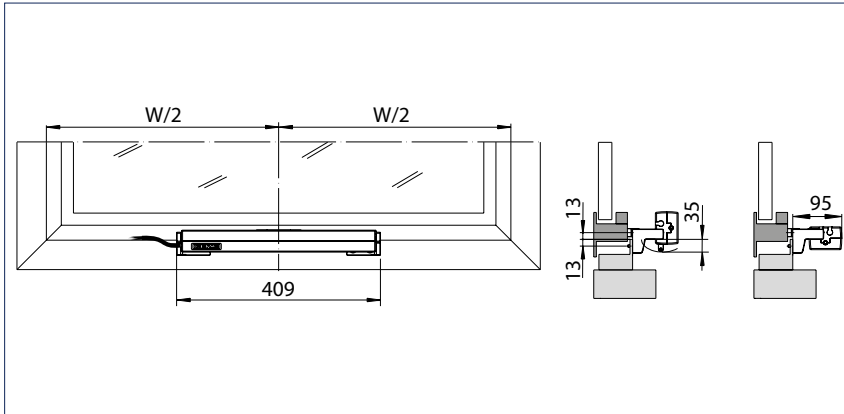


FH = Casement height
 ÖW = Opening angle
 1 = Stroke

Space requirement for frame installation INWARD opening



Space requirement for frame installation OUTWARD opening



GEZE ECchain - Order information

Description	Version	ID.No.
GEZE ECchain incl. console inward-opening and outward-opening	white	148260
	black	148258
	grey	148259



GEZE ECchain with safety scissors