

**ACCESSORIES**

**CONVERSION BRACKET**



**DROP PLATE**



**HOLD OPEN ARM**



**SLIDE ARM**



**COVER**



**NHN** 80V SERIES

**CE** Tested to EN1154  
and fire tested to  
EN1634-1



The New **NHN 80V Series** offers a comprehensive range of hydraulic, power adjustable door closers to suit all applications.

The New **NHN 80V Series** of door closers incorporates the latest engineering technology to provide three power adjustable (by allen key) door closers.

Successfully awarded **EN1154, EN1634-1** and **CE** Certifications, the **NHN 80V Series** is backed up with a 10 years 'No Quibble' guarantee.

**FEATURES**

- 83V for sizes 2-4, 85V for sizes 3-6 and a heavy duty 87V for sizes 6 & 7. See the selection chart below for the full range and applications.
- Backcheck and delayed action functions available.
- Easy installation and adjustment.
- Comprehensive range of accessories
- Slimline body.



TOWER WEST 12FL, UMEDA SKY BUILDING, 1-1-30, OYODO-NAKA, KITA-KU, OSAKA 531-0076 JAPAN  
Phone: 81-(0)6-6454-9721  
Facsimile: 81-(0)6-6454-9726  
E-Mail: info@kenwa.co.jp http://www.kenwa.co.jp  
http://www.micomautodoor.com

E.&O.E.  
All sizes, photo's and drawings are subject to change without prior notice.  
Copyright © 2010 KENWA CO.,LTD. OSAKA JAPAN All Rights Reserved.

**DISTRIBUTED BY**



p. (02) 6280 4655  
a. 3/129 Gladstone Street, Fyshwick ACT 2609  
e. sales@progressivecontrols.com.au  
w. www.progressivecontrols.com.au

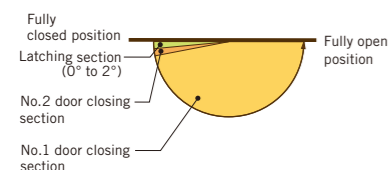
**SELECTION CHART**

Power size (EN)	Door width (mm)	Door weight (kg)	83V SERIES					85V SERIES					87V SERIES				
			REGULAR	HOLD OPEN	BACK CHECK	DELAYED	SLIDE ARM	REGULAR	HOLD OPEN	BACK CHECK	DELAYED	SLIDE ARM	REGULAR	HOLD OPEN	BACK CHECK	DELAYED	SLIDE ARM
2	850	40						-	-	-	-	-	-	-	-	-	-
3	950	60	83V	183V	83V-BC	83V-DA	83V-GL	-	-	-	-	-	-	-	-	-	-
4	1100	80										85V-GL	-	-	-	-	-
5	1250	100	-	-	-	-	-	85V	185V	85V-BC	85V-DA		-	-	-	-	-
6	1400	120	-	-	-	-	-						87V	187V	87V-BC	87V-DA	87V-GL
7	1600	140	-	-	-	-	-	-	-	-	-	-	-	-	-	-	-

FUNCTION

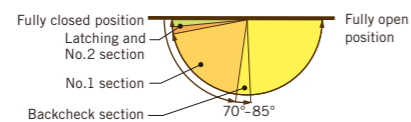
Latching function (standard)

This function accelerates the door in the final 2° of closing, in order to overcome any resistance such as seals, latch bolts etc. This provides a secure and complete closure of the door.



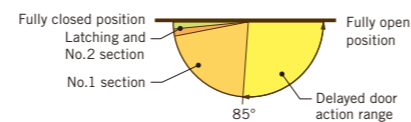
Back-check function (optional)

This function is built into the door closer body and checks the outward swing of the door. Most suited where the opening door might hit a wall i.e. in a corridor, or where it could injure someone if opened too quickly. It is recommended for use on externally opening doors in windy environments. The backcheck function works between 70° & 85°. The backcheck strength can be adjusted by turning the backcheck valve screw located on the end of the closer body. IT SHOULD NOT BE REGARDED AS A DOOR STOP !



Delayed door closing function (optional)

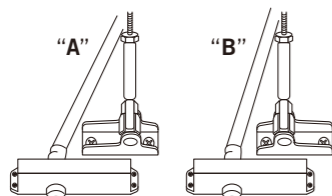
This function reduces the closing speed of the door to allow passers-by sufficient time to pass through the door opening i.e. people in wheelchairs, hospital staff with beds, elderly people etc. The maximum delay of 90 seconds is achieved from the 180° (the fully open angle) thru to 85°. After which the normal closing process takes effect to provide a secure and complete closure of the door. The duration of the delay can be adjusted via the delayed valve screw located next to the spindle.



ADJUSTMENT

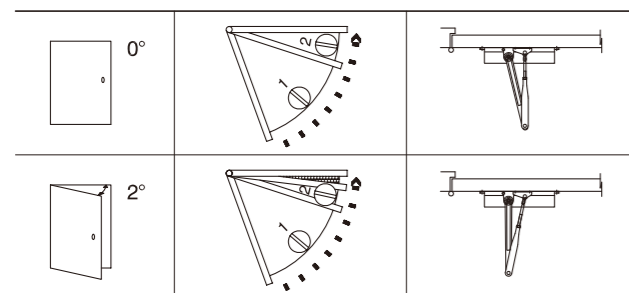
Force adjustment

**Installation "A"**  
Decreases the closing force by about 10% for the first 4° of opening and final 4° of closing.



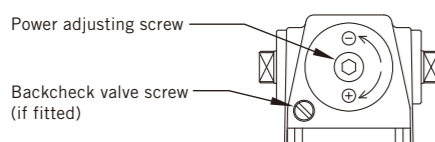
**Installation "B"**  
Increases the closing force by about 10% for the first 4° of opening and final 4° of closing.

Latching angle adjustment



Spring power adjustment

Turn the 'Power Adjusting Screw' the required number of clockwise or anti-clockwise turns according to the door width as indicated in the chart. In adverse weather conditions, increase the number of turns as required.



	Size (EN)	No. of turns	Direction	Max. opening angle
83V	2	6	-	180°
	3	0	*	180°
	4	3	+	180°
85V Fixing Position 1	3	0	*	180°
	4	1	+	180°
85V Fixing Position 2	5	0	*	180°
	6	4	+	130°
87V	6	5	-	130°
	7	0	*	130°

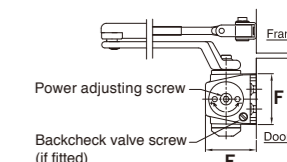
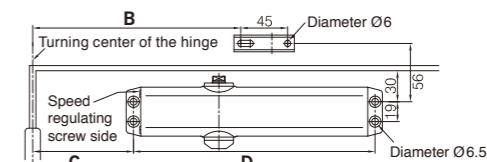
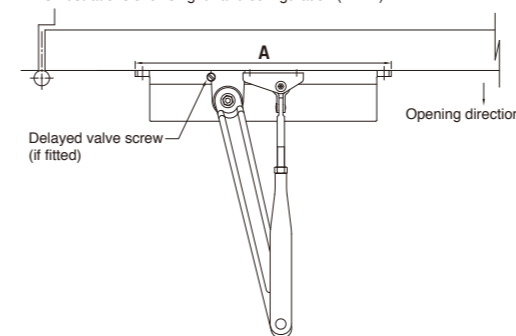
\*Pre-set size at factory

INSTALLATION

Standard installation

Closer mounted on hinge side of door

This illustration shows right hand configuration (DIN L).

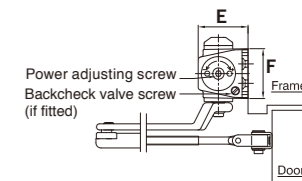
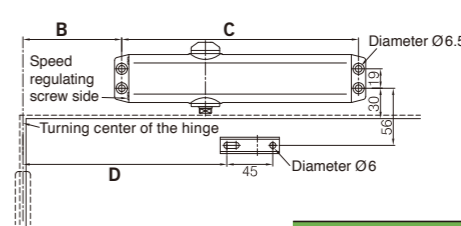
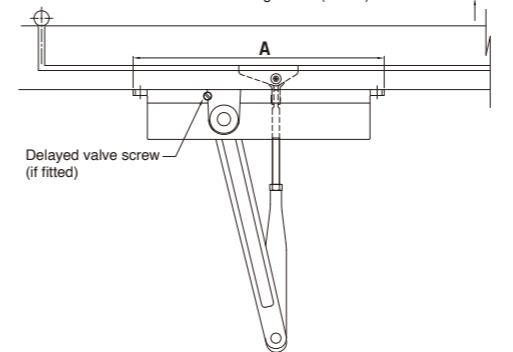


TYPE	A	B	C	D	E	F
83V	246	200	97	232	49	49
85V Fixing Position 1	282	210	55	268	55	52
			90			
87V	282	210	90	268	55	52

(Unit: mm)

Top jamb installation

This illustration shows left hand configuration (DIN R).

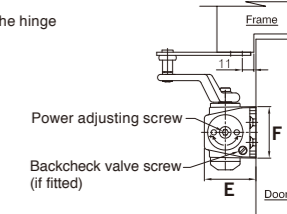
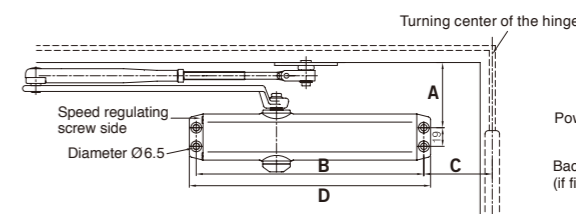
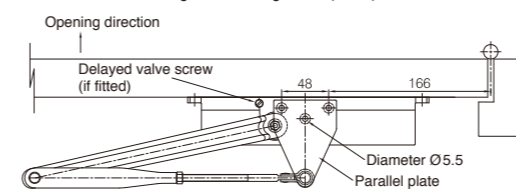


TYPE	A	B	C	D	E	F
83V	246	97	232	200	49	49
85V Fixing Position 1	282	90	55	268	210	55
			90			
87V	282	55	268	210	55	52

(Unit: mm)

Parallel arm installation

This illustration shows right hand configuration (DIN L).

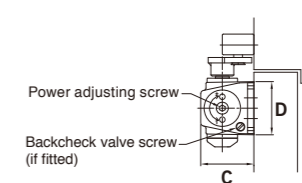
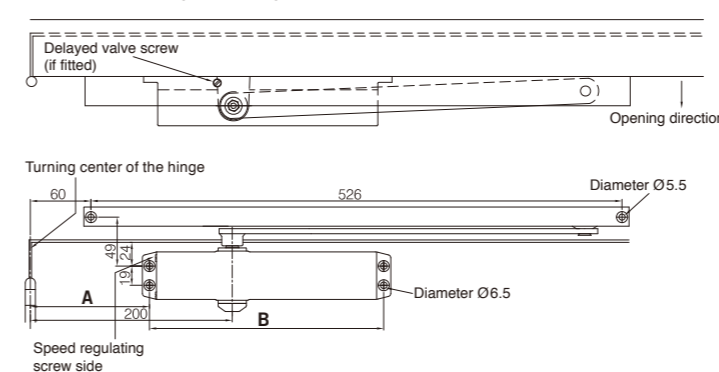


TYPE	A	B	C	D	E	F
83V	69	232	70	246	49	49
85V · 87V	70	268	44	282	55	52

(Unit: mm)

Slide arm installation

This illustration shows right hand configuration (DIN L).



TYPE	A	B	C	D
83V	118	232	49	49
85V · 87V	108	268	55	52

(Unit: mm)