



GEZE ACTIVESTOP NEW DOOR CONTROL



(02) 6280 4655

129 Gladstone Street,
Fyshwick ACT 2609

sales@progressivecontrols.com.au

www.progressivecontrols.com.au





CONTENTS

Door damping from GEZE	4
GEZE ActiveStop	5
Overview of damping ranges	8
GEZE House	10

Door damping from GEZE

Draw-in dampers make your life easier in many areas of everyday life. Whether consciously perceived or operated intuitively – they always give the feeling of comfort and high quality, for example, on cabinet doors, kitchen cupboards, safe covers or even toilet seats. With GEZE ActiveStop, the draw-in damper for swing doors for internal application without fire protection requirements, this feeling also becomes a reality for interior doors.

Greater access convenience – and a completely new door feeling: the new integrated door damper GEZE ActiveStop can stop doors gently, close them quietly and keep them open with ease. That means that slammed doors, trapped fingers and defects in walls or furniture are a thing of the past. Thanks to the compact dimensions, the double-sided draw-in damper can be installed in almost any standard door panel, is hardly visible thus conforming to the most demanding designs.



Installation situation (photo: GEZE GmbH)

GEZE ActiveStop

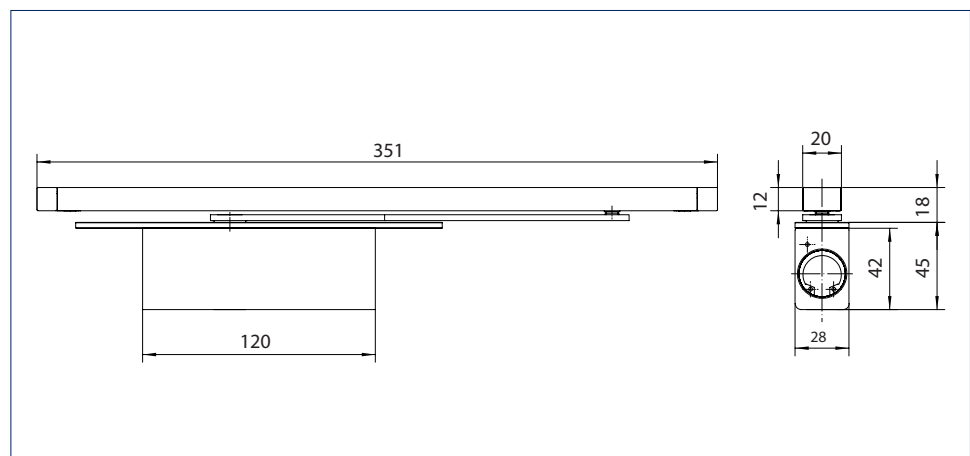
New door control

The new double-sided GEZE ActiveStop draw-in damper allows for a new kind of convenience when entering a room. The clever function ensures the controlled opening and closing of swing doors with a weight of up to 45 kg. The GEZE ActiveStop is only 28 millimetres wide and can be inconspicuously integrated into the door leaf. When the door is being closed, the draw-in damper draws the door in softly and safely from around 25 degrees. Door-slamming – due to a draught or inattention – with possible damage to the door or a risk of trapping fingers is virtually eliminated. The door stays shut independently. A lock with latch and strike plate is not necessary. The opening of the door is also damped. The GEZE ActiveStop gently draws the door to the maximum opening width, which can be flexibly adjusted between 80 and 140 degrees.



Focus Open 2015
Silver

GEZE ActiveStop



APPLICATION AREA

- For controlled dampened opening and closing of interior swing doors
- For doors with leaf thickness of 38 mm or above
- Max. 45 kg door leaf weight
- Max. 1100 mm door leaf width
- For DIN left and DIN right single-action doors
- For rebated and closing flush doors

PRODUCT FEATURES

- Draw-in damping in closing direction starting from approx. 25°
- Draw-in damping in opening direction starting from approx. 60°
- Resistance-free door operation between 25° and 60°
- Door opening angle continuously adjustable between 80° and 140°
- Opening and closing damping when installed can be set via a valve
- No additional door stopper required
- Barrier-free in accordance with DIN 18040-2 due to low opening forces
- Easy maintenance due to low number of individual parts and quick setting

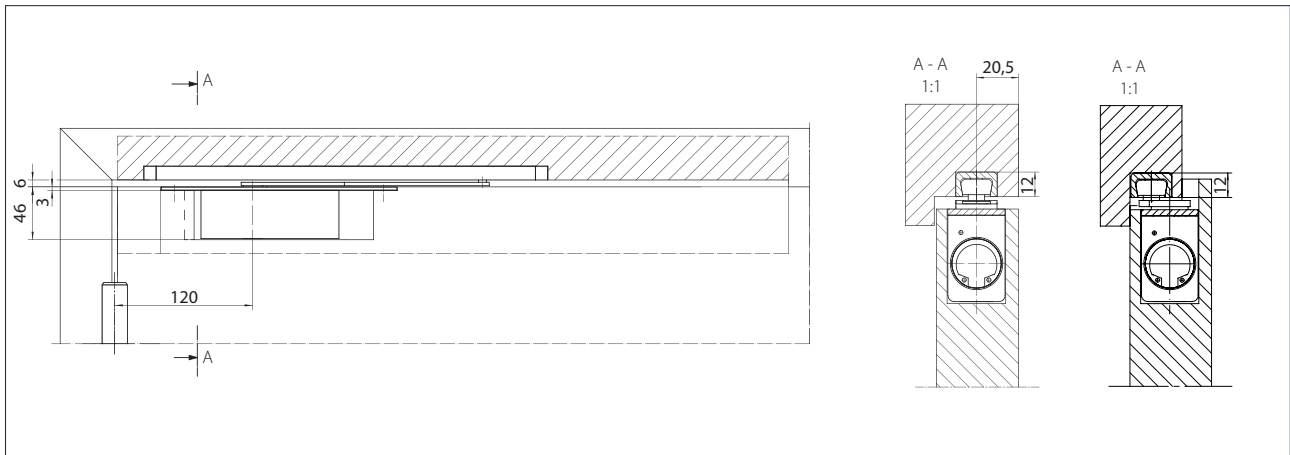
TECHNICAL DATA

Product features	GEZE ActiveStop
Length	352 mm
Installation width	28 mm
Installation depth	46 mm
Optimised function up to	45 kg
Recommended leaf width up to	1100 mm
Leaf thickness from	38 mm
Same version for DIN left and DIN right	•
Leaf material	Wood interior doors
Rebate	approx. 5 mm clearance in handle area
Leaf type	rebated and closing flush
Installation type	concealed
Adjustable draw-in damper	Yes, via valve
Draw-in damper in direction of closing movement from	25 °
Free swing area	25 – 60 °
Draw-in damper in direction of opening movement from	60 °
Adjustable door opening angle	Yes, stepless
Door opening angle	80 – 140 °
Secured final position	safe holding of the door in the open position, no door stopper needed
Integrated safety valve against overload	•
Product tested in accordance with	DIN 18040-2
Door latch block	Included in delivery

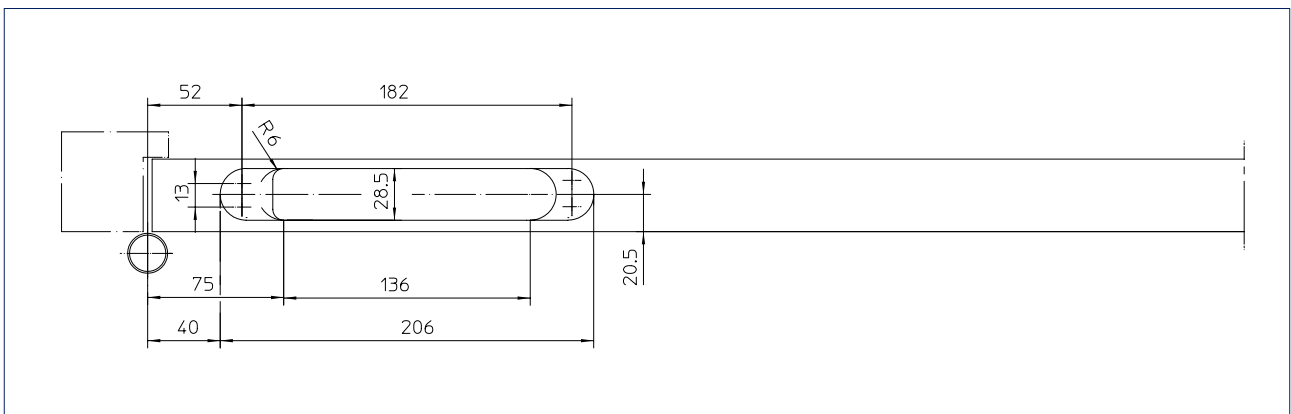
• = YES

DRAWINGS

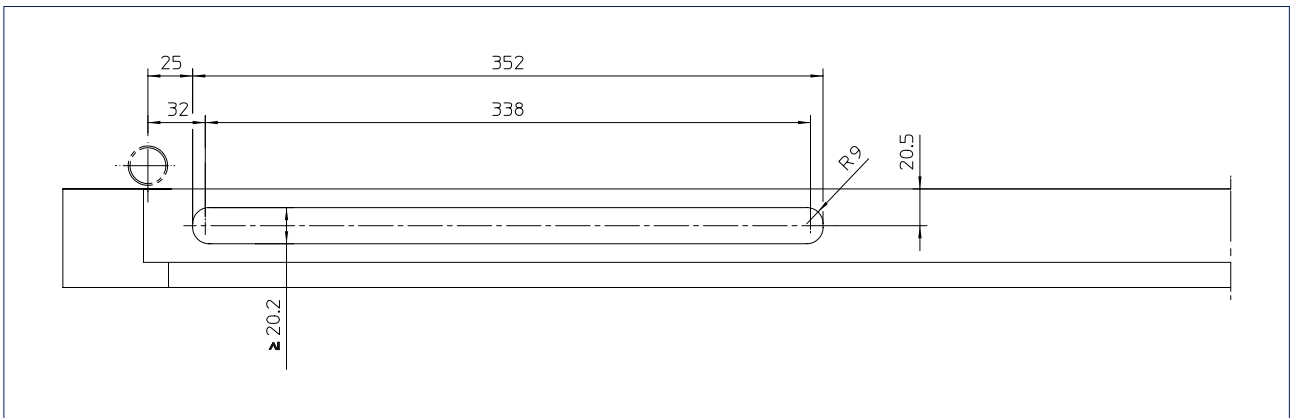
Installation drawing



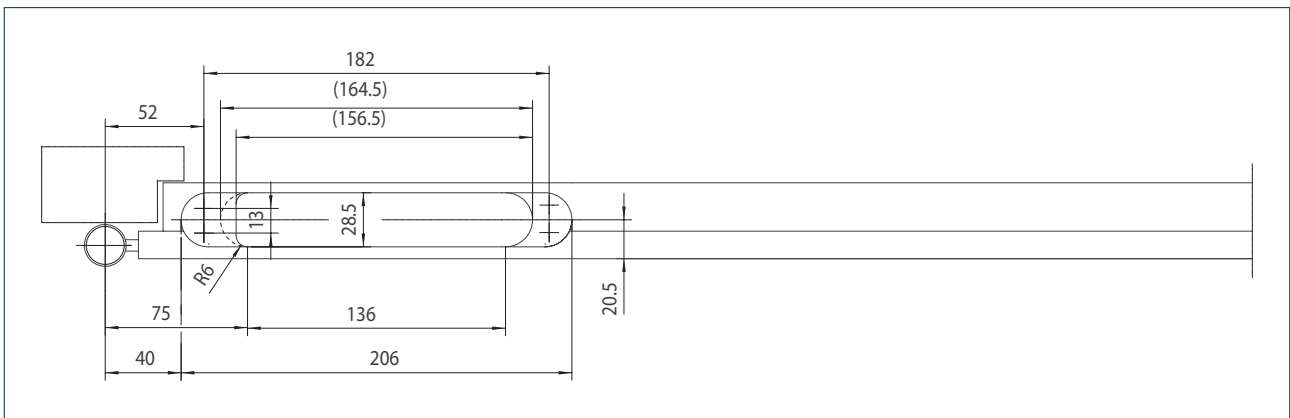
Door leaf finish for flush impact doors



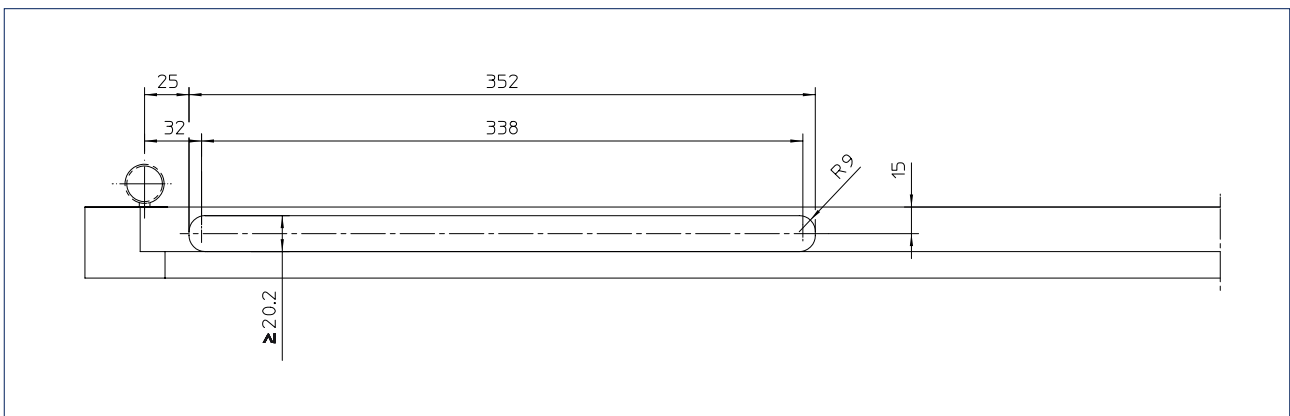
Door frame finish for flush impact doors



Door leaf finish for rebated doors



Door frame finish for rebated doors



OVERVIEW OF DAMPING RANGES



- 1 = Damping in closing direction from 25° with ~ 10 Nm closing moment
- 2 = "Free swing" between 25° and 60°
- 3 = Damping in opening direction from 60° up to maximum 140°
- 4 = Variable opening restriction can be set in the rail via the damping element

ADVANTAGES IN CLOSING DIRECTION

- Gentle, controlled braking and retraction of door when closing from an angle of 25°
- No uncontrolled slamming of door (due to draughts or carelessness)
- No damage to frame, door leaf, etc. when slamming door
- Minimises the risk of trapped fingers
- No noise development
- Door stays shut independently, no lock (lock case, latch, strike plate) necessary indoors

ADVANTAGES IN OPENING DIRECTION

- Gentle retracting of door in maximum open position (adjustable from 60° to 140°)
- No damage to walls, door leaves or furniture when opening door
- Comfortable for users (e.g. when carrying a large bag or a child in one's arms)
- No floor buffer or wall buffer necessary

ORDERING INFORMATION GEZE ACTIVESTOP

Description	Version	ID no.
<p>GEZE ActiveStop (ready-to-install complete set in fine silver) Scope of delivery: GEZE ActiveStop, slide rail with slide block and end buffer, connection handle, universal door latch block, installation material</p>	Silver	163411
Accessories		
<p>Mill template For the preparation of the door leaf and frame with a customary router</p>		166886
<p>Fixing plates for guide rails For securing the guide rail in wooden frames with insufficient screw-in depth of the fixing screws</p>		165814



Milling template
 (166886)



Fixing plates for guide rails
 (165814)

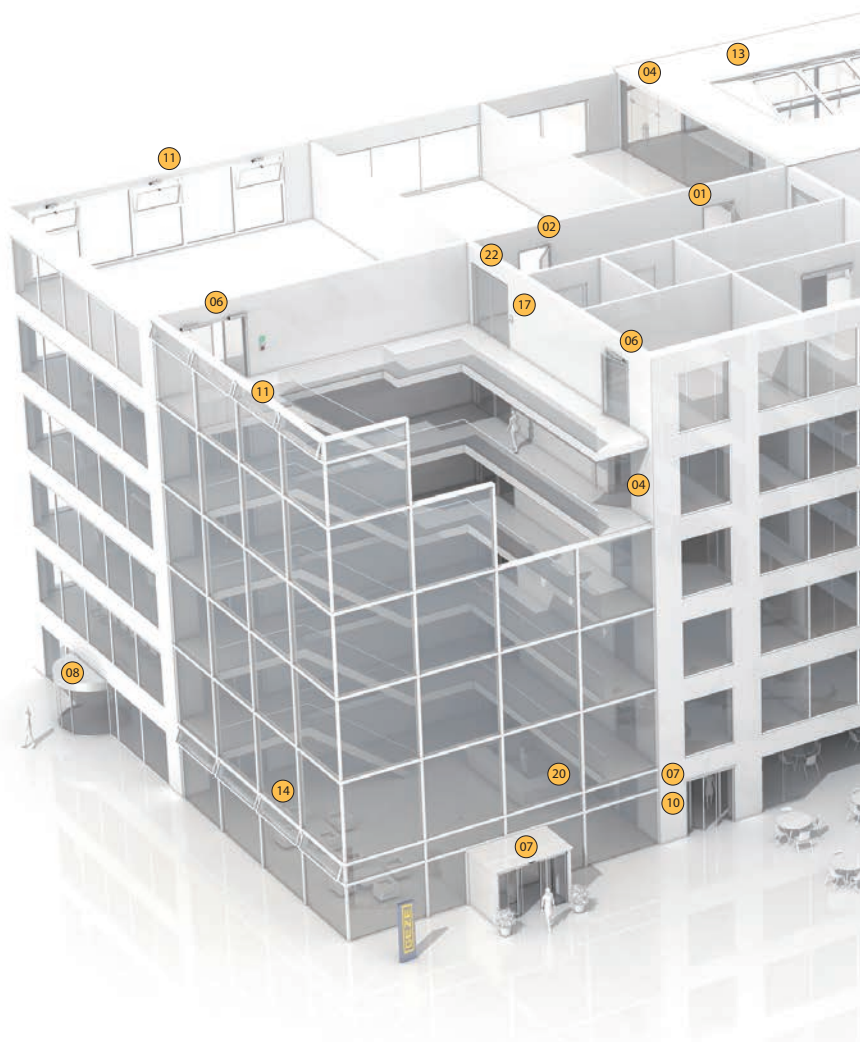


Physiotherapy practice "Behandelbar", Sindelfingen, Germany (photo: Jürgen Pollak)

POSSIBLE AREAS OF APPLICATION FOR GEZE PRODUCTS

Further product information is provided in the specific brochure, see ID numbers.

Door technology	
01	Overhead door closers ID 091586, ID 091587
02	Hold-open systems ID 091586, ID 091587
03	Integrated door closers ID 091592
04	Floor springs and all-glass fittings ID 091590
05	Sliding door gear systems and linear guides ID 123180, ID 004477
Automatic door systems	
06	Swing doors ID 143725
07	Sliding, telescopic and folding doors ID 143059
08	Circular - and semi-circular sliding doors ID 134398
09	Revolving doors ID 131929
10	Actuation devices and sensors ID 142648
RWA and window technology	
11	Fanlight opening systems ID 127786
12	Electrical opening and locking systems ID 152257
13	Electric spindle and linear drives ID 152257
14	Electrically-operated chain drives ID 152257
15	Smoke and heat extraction systems (RWA) ID 152257
Safety technology	
16	Emergency exit systems ID 132167
17	Access control systems ID 131413
18	Panic locks ID 132847
19	Electric strikes ID 146453
20	Building management system ID 132167
Glass systems	
21	MSW Manual sliding wall systems ID 104164
22	IGG Integrated all-glass systems ID 090108



POSSIBLE AREAS OF APPLICATION FOR GEZE PRODUCTS



Door technology

GEZE door closers benefit from convincing functional diversity, high efficiency and a long life span. A uniform design, combination with all standard door leaf widths and weights and individual settings make the choice easy. They are continuously developed and are supplemented with contemporary features. For example, fire protection and accessibility requirements can be fulfilled with a door closer system.

Automatic door systems

GEZE automatic door systems open up an almost unlimited range of door design options. State-of-the-art innovative and highly efficient drive technology, safety, accessible convenience and first-class, universal drive design throughout are what set them apart from the competition. GEZE offers complete solutions designed to meet individual requirements.

RWA and window technology

GEZE smoke and heat extraction systems and ventilation technology stand for system solutions, which link the different requirements for every aspect of windows. The complete offering ranges from energy-efficient drive systems to natural ventilation through to complete fresh air supply and exhaust air solutions, as well as certified NRWGs.

Safety technology

GEZE safety technology is decisive when preventive fire protection, access control and protection against theft is required in escape and rescue routes. GEZE offers individual solutions and coordinated solution concepts for each of these objectives, which link the individual safety requirements in one intelligent system and close doors and windows in a coordinated way in the event of danger.

Building Systems

With the building system, GEZE system solutions for door, window and safety technology can be integrated in the building safety and control. Used as the central control and visualisation system it monitors a wide range of automation components in the building management system and offers safety through diverse networking options.

Glass systems

GEZE glass systems for open and transparent room design. They fit subtly into the building's architecture, or stand out and accentuate it. GEZE offers all kinds of different technologies for functional and aesthetic sliding wall or sliding door systems made for frequent and heavy use, with diverse scope for individual design and safety.

GEZE GmbH
P.O. Box 1363
71226 Leonberg
Germany

GEZE GmbH
Reinhold-Vöster-Straße 21-29
71229 Leonberg
Germany
Telefon +49 7152 203 0
Telefax +49 7152 203 310
www.geze.com

Germany
 GEZE GmbH
 Niederlassung Süd-West
 Breitwiesenstraße 8
 71229 Leonberg
 Tel. +49 7152 203 594
 Fax +49 7152 203 438
 leonberg.de@geze.com

GEZE GmbH
 Niederlassung Süd-Ost
 Parking 17
 85748 Garching bei München
 Tel. +49 7152 203 6440
 Fax +49 7152 203 77050
 muenchen.de@geze.com

GEZE GmbH
 Niederlassung Ost
 Albert-Einstein-Ring 5
 14532 Kleinmachnow bei Berlin
 Tel. +49 7152 203 6840
 Fax +49 7152 203 76849
 berlin.de@geze.com

GEZE GmbH
 Niederlassung Mitte/Luxemburg
 Adenauerallee 2
 61440 Oberursel (b. Frankfurt)
 Tel. +49 7152 203 6888
 Fax +49 7152 203 6891
 frankfurt.de@geze.com

GEZE GmbH
 Niederlassung West
 Heltorfer Straße 12
 40472 Düsseldorf
 Tel. +49 7152 203 6770
 Fax +49 7152 203 76770
 duesseldorf.de@geze.com

GEZE GmbH
 Niederlassung Nord
 Albert-Schweitzer-Ring 24-26 (3. OG)
 22045 Hamburg
 Tel. +49 7152 203 6602
 Fax +49 7152 203 76608
 hamburg.de@geze.com

GEZE Service GmbH
 Niederlassung Süd-West
 Reinhold-Vöster-Straße 25
 71229 Leonberg
 Tel. +49 1802 923392
 Fax +49 7152 9233 359
 service-leonberg.de@geze.com

GEZE Service GmbH
 Niederlassung Süd
 Parking 17
 85748 Garching bei München
 Tel. +49 1802 923392
 Fax +49 7152 9233 859
 service-muenchen.de@geze.com

GEZE Service GmbH
 Niederlassung Mitte
 Oberurseler Str. 69
 61440 Oberursel
 Tel. +49 1802 923392
 Fax +49 7152 9233 659
 service-oberursel.de@geze.com

GEZE Service GmbH
 Niederlassung West
 Heltorfer Straße 12
 40472 Düsseldorf
 Tel. +49 1802 923392
 Fax +49 7152 9233 559
 service-duesseldorf.de@geze.com

GEZE Service GmbH
 Niederlassung Ost
 Albert-Einstein-Ring 5
 14532 Kleinmachnow bei Berlin
 Tel. +49 1802 923392
 Fax +49 7152 9233 759
 service-berlin.de@geze.com

GEZE Service GmbH
 Niederlassung Nord
 Albert-Schweitzer-Ring 24-26 (3. OG)
 22045 Hamburg
 Tel. +49 1802 923392
 Fax +49 7152 9233 459
 service-hamburg.de@geze.com

Austria
 GEZE Austria
 Wiener Bundesstrasse 85
 A-5300 Hallwang
 Tel: +43 6225 87180
 Fax: +43 6225 87180 299
 austria.at@geze.com

**Baltic States –
 Lithuania / Latvia / Estonia**
 Tel. +371 678960 35
 baltic-states@geze.com

Benelux
 GEZE Benelux B.V.
 Industrieterrein Kapelbeemd
 Steenoven 36
 5626 DK Eindhoven
 Tel. +31 4026290 80
 Fax +31 4026290 85
 benelux.nl@geze.com

Bulgaria
 GEZE Bulgaria - Trade
 Representative Office
 Nickolay Haitov 34 str., fl. 1
 1172 Sofia
 Tel. +359 247043 73
 Fax +359 247062 62
 office-bulgaria@geze.com

China
 GEZE Industries (Tianjin) Co., Ltd.
 Shuangchenzhong Road
 Beichen Economic Development
 Area (BEDA)
 Tianjin 300400, P.R. China
 Tel. +86 22 26973995
 Fax +86 22 26972702
 chinasales@geze.com.cn

GEZE Industries (Tianjin) Co., Ltd.
 Branch Office Shanghai
 Jia Little Exhibition Center
 Room C 2-102
 Shenzhuan Rd. 6000
 201619 Shanghai, P.R. China
 Tel. +86 21 52340960
 Fax +86 21 64472007
 chinasales@geze.com.cn

GEZE Industries (Tianjin) Co., Ltd.
 Branch Office Guangzhou
 Room 17 C 3
 Everbright Bank Building, No.689
 Tian He Bei Road
 510630 Guangzhou, P.R. China
 Tel. +86 20 38731842
 Fax +86 20 38731834
 chinasales@geze.com.cn

GEZE Industries (Tianjin) Co., Ltd
 Branch Office Beijing
 Room 04-05, 7th Floor
 Red Sandalwood Plaza
 No. 27 Jianguo Road
 Chaoyang District
 100024 Beijing, P.R.China
 Tel. +86 10 85756009
 Fax +86 10 85758079
 chinasales@geze.com.cn

France
 GEZE France S.A.R.L.
 ZAC de l'Orme Rond
 RN 19
 77170 Servon
 Tel. +33 1 606260 70
 Fax +33 1 606260 71
 france.fr@geze.com

Hungary
 GEZE Hungary Kft.
 Hungary-2051 Biatorbágy
 Vendel Park
 Huber u. 1.
 Tel. +36 23532 735
 Fax +36 23532 738
 office-hungary@geze.com

Iberia
 GEZE Iberia S.R.L.
 C/ Andorra 24
 08830 Sant Boi de Llobregat
 (Barcelona)
 Tel. +34 902194 036
 Fax +34 902194 035
 info@geze.es

India
 GEZE India Private Ltd.
 MF 2 & 3, Guindy Industrial Estate
 Ekkattuthangal
 Chennai 600 097
 Tamilnadu
 Tel. +91 44 406169 00
 Fax +91 44 406169 01
 office-india@geze.com

Italy
 GEZE Italia S.r.l
 Sede di Vimercate
 Via Fiorbellina 20
 20871 Vimercate (MB)
 Tel. +39 0399530401
 Fax+39 039 9530459/419
 italia.it@geze.com

Sede di Roma
 Via Lucrezia Romana, 91
 00178 Roma
 Tel. +39 06 726531 1
 Fax +39 06 726531 36
 roma@geze.biz

Poland
 GEZE Polska Sp.z o.o.
 ul. Marywilska 24
 03-228 Warszawa
 Tel. +48 224 404 440
 Fax +48 224 404 400
 geze.pl@geze.com

Romania
 GEZE Romania S.R.L.
 IRIDE Business Park,
 Str. Dimitrie Pompeiu nr. 9-9a,
 Building 10, Level 2, Sector 2,
 020335 Bucharest
 Tel.: +40 212507 750
 Fax: +40 316201 258
 office-romania@geze.com

Russia
 OOO GEZE RUS
 Gamsnovskiy Per. 2
 115191 Moscow
 Tel. +7 495 93306 59
 Fax +7 495 93306 74
 office-russia@geze.com

Scandinavia – Sweden
 GEZE Scandinavia AB
 Mallslingan 10
 Box 7060
 18711 Täby, Sweden
 Tel. +46 87323 400
 Fax +46 87323 499
 sverige.se@geze.com

Scandinavia – Norway
 GEZE Scandinavia AB avd. Norge
 Industriveien 34 B
 2073 Dal
 Tel. +47 63957 200
 Fax +47 63957 173
 norge.se@geze.com

Scandinavia – Denmark
 GEZE Danmark
 Branch office of GEZE Scandinavia AB
 Mårkærvej 13 J-K
 2630 Taastrup
 Tel. +45 463233 24
 Fax +45 463233 26
 danmark.se@geze.com

Singapore
 GEZE (Asia Pacific) Pte. Ltd.
 21 Bukit Batok Crescent
 #23-75 Wcga Tower
 Singapore 658065
 Tel: +65 6846 1338
 Fax: +65 6846 9353
 gezessea@geze.com.sg

South Africa
 Geze South Africa (Pty) Ltd.
 GEZE, Building 3, 1019 Morkels Close
 Midrand 1685
 Tel: + 87 94337 88
 Fax: + 86 66137 52
 info@gezesa.co.za

Switzerland
 GEZE Schweiz AG
 Zeliglimatte 1A
 6260 Reiden
 Tel. +41 62 28554 00
 Fax +41 62 28554 01
 schweiz.ch@geze.com

Turkey
 GEZE Kapı ve Pencere Sistemleri
 San. ve Tic. Ltd. Sti.
 İstanbul Anadolu Yakası Organize
 Sanayi Bölgesi
 Gazi Bulvarı Caddesi 8.Sokak No:8
 Tuzla-İstanbul
 Tel. + 90 216 45543 15
 Fax + 90 216 45582 15
 office-turkey@geze.com

Ukraine
 LLC GEZE Ukraine
 ul. Viskoznaya, 17,
 Building 93-B, Office 12
 02660 Kiev
 Tel./Fax +38 445012225
 office-ukraine@geze.com

United Arab Emirates/GCC
 GEZE Middle East
 P.O. Box 17903
 Jebel Ali Free Zone
 Dubai
 Tel. +971 48833 112
 Fax +971 48833 240
 gezeme@geze.com

United Kingdom
 GEZE UK Ltd.
 Blenheim Way
 Fradley Park
 Lichfield
 Staffordshire WS13 8SY
 Tel. +44 15434430 00
 Fax +44 15434430 01
 info.uk@geze.com

GEZE REPRESENTATIVE



(02) 6280 4655
 129 Gladstone Street,
 Fyshwick ACT 2609
 sales@progressivecontrols.com.au
 www.progressivecontrols.com.au